

DESCRIPTION

- Description

OPERATION

- Operation

FLOW

- Flow

CARTRIDGE

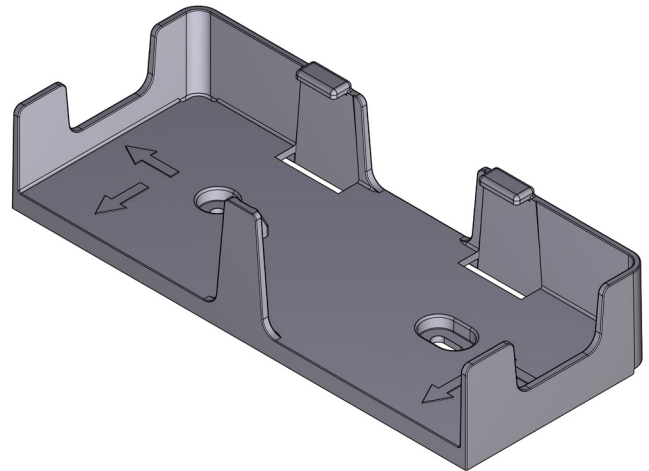
- Cartridge

STANDARDS

- Standards

WARRANTY

- Warranty

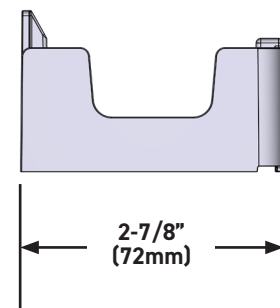
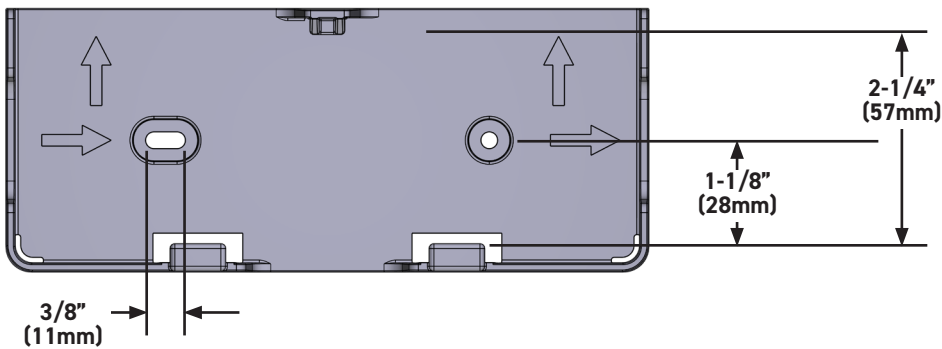
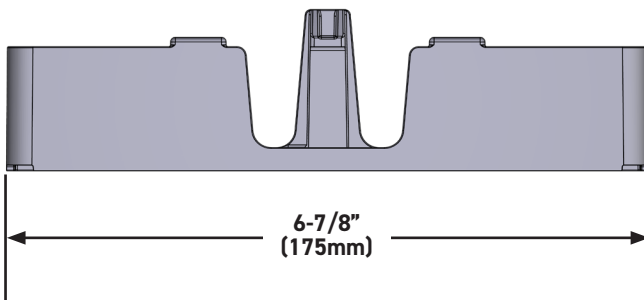


FLO

Wall Mounting Bracket

MODEL: 930-011

NOTE:
Notes



CRITICAL DIMENSIONS DO NOT SCALE